



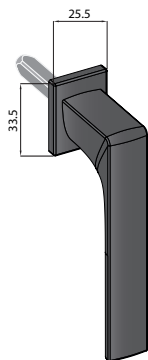
DKZERO

MINIMAL SOLUTION

magis**40**
HS-magis**40**

FS40
FS41
FS42
FS43

Produced with:
uni_one
TECHNOLOGY



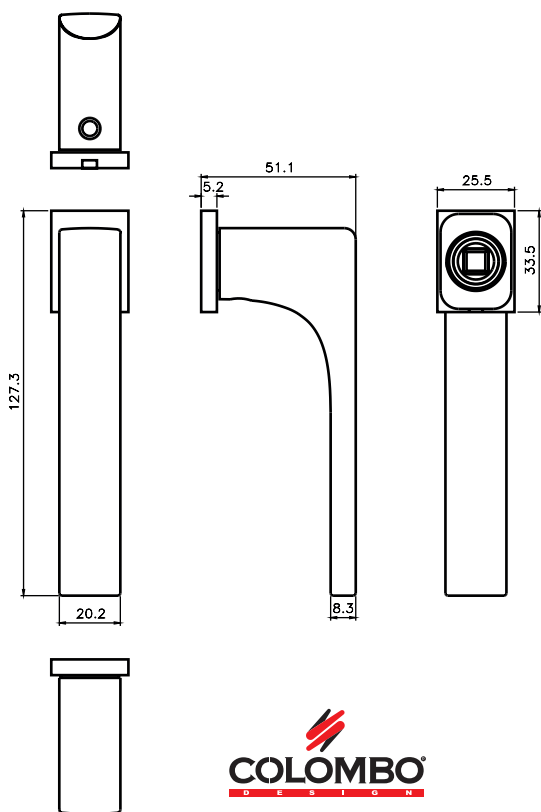
details
are not
for everyone

magis40

DK Zero FS40

For the exclusive magis40 program by uni_one technology, in partnership with "Colombo Design", we have selected a handle with high technical and aesthetic performance: the magis40 DK Zero handle.

An innovative product with a distinctive stylistic signature style, where the almost total absence of space taken up by the washer further enhances the design of the window, actuated by a micro-movement that keeps the functional and usage characteristics unaltered.

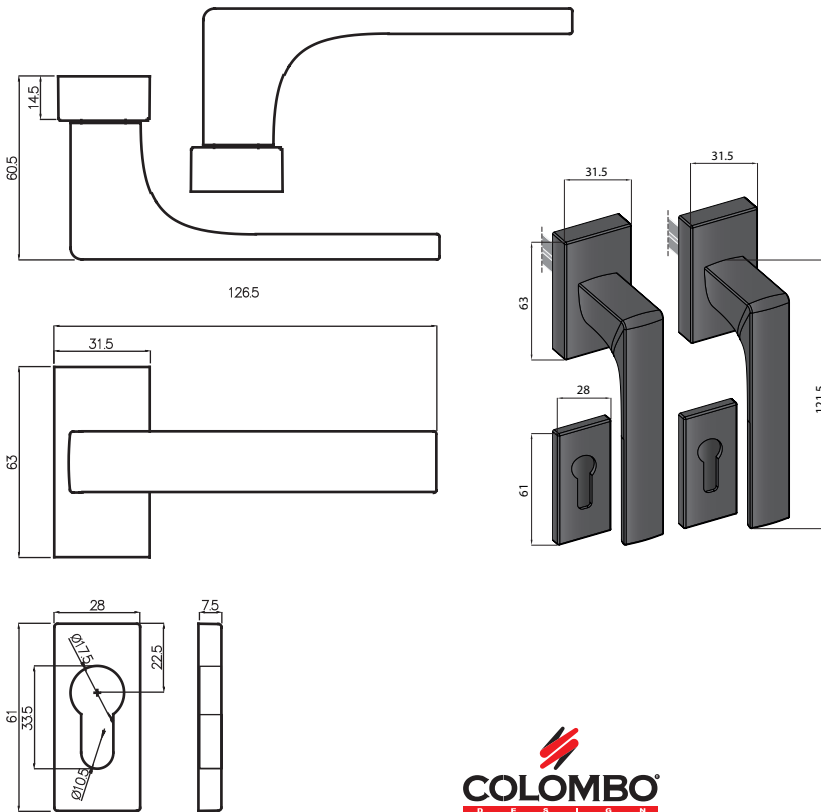


details
are not
for everyone

magis40 DK Zero FS41

For the exclusive magis40 program by uni_one technology, in partnership with "Colombo Design", we have selected a handle with high technical and aesthetic performance: the magis40 DK Zero handle.

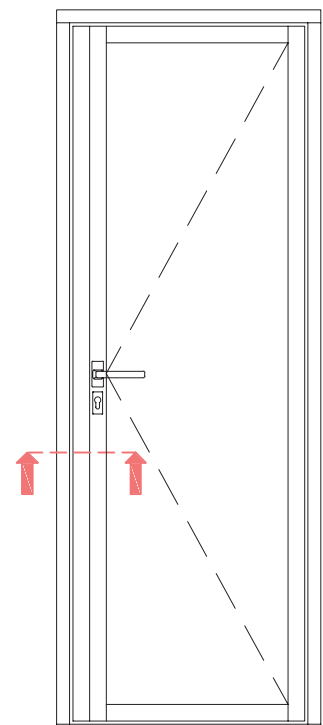
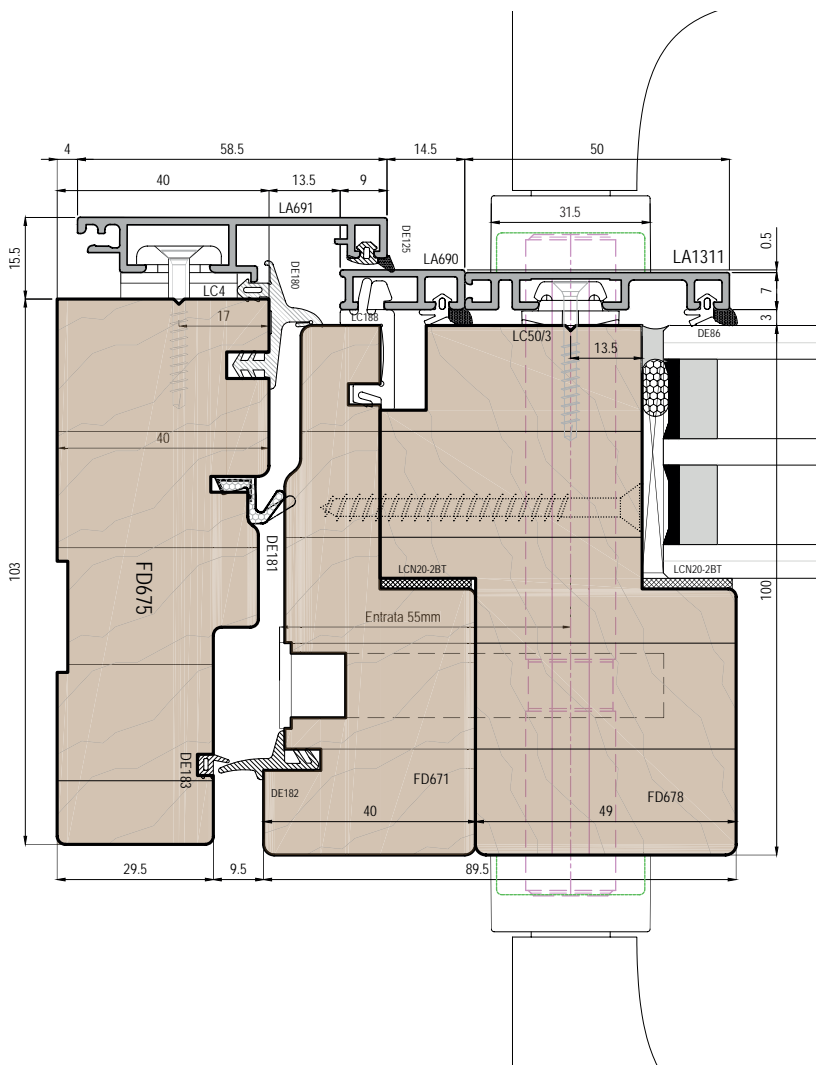
An innovative product with a distinctive stylistic signature style, where the almost total absence of space taken up by the washer further enhances the design of the window, actuated by a micro-movement that keeps the functional and usage characteristics unaltered.



KEYS AND
CYLINDER
INCLUDED



ISEO cod art:
82F6940859

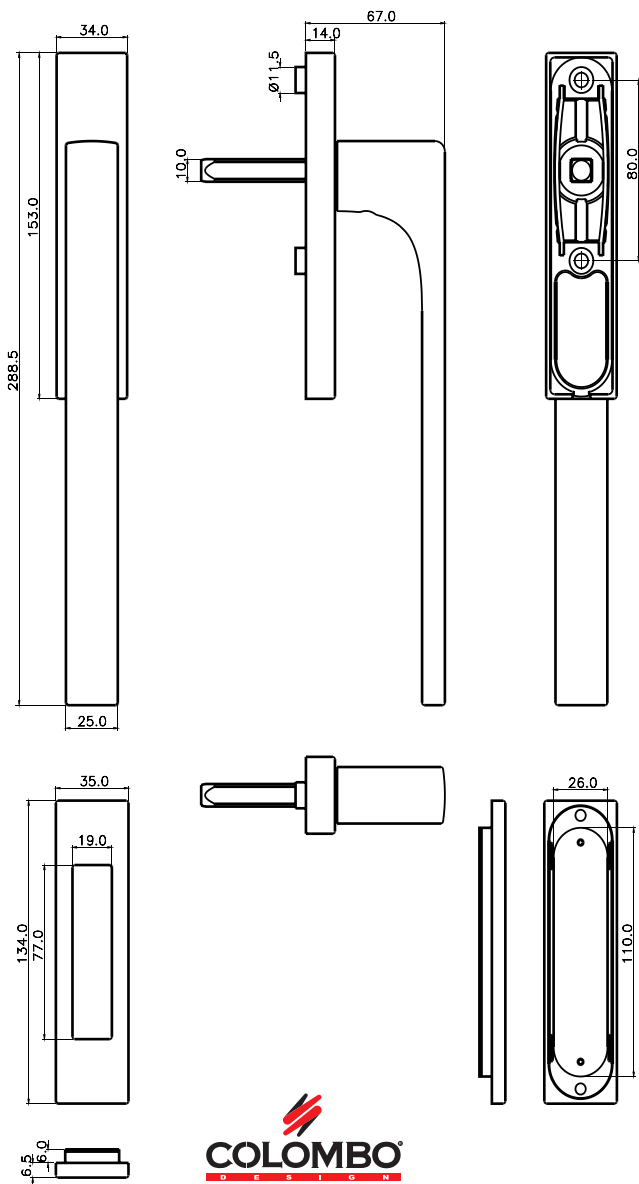
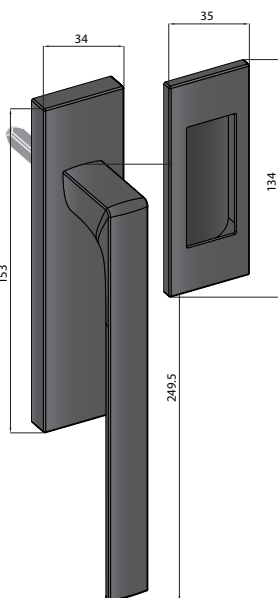


details
are not
for everyone

HS-magis40

DK Zero FS42

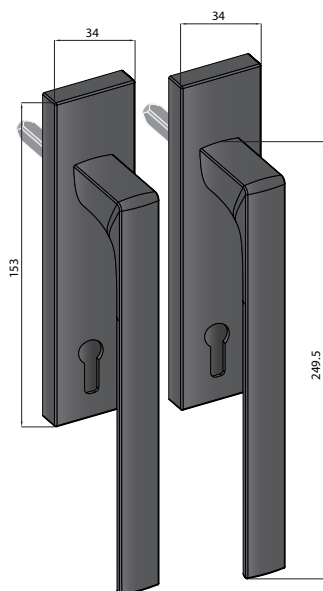
The large handle for the "Colombo Design" lift-and-slide window was selected for the magis40 by uni_one technology programme. This is a model exclusively made for Uniform, with a recessed pull handle that perfectly adapts to the reduced thickness of the window frame profile. The large handle for the lift-and-slide window is provided in combination with the magis40 DK Zero window handle in the six available finishes.



details
are not
for everyone

HS-magis40 DK Zero FS43

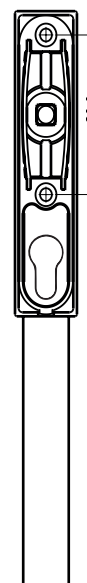
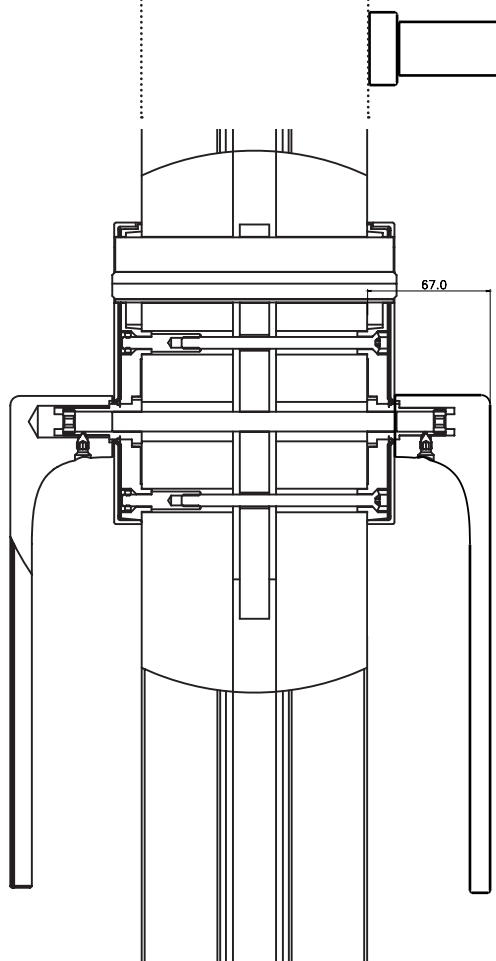
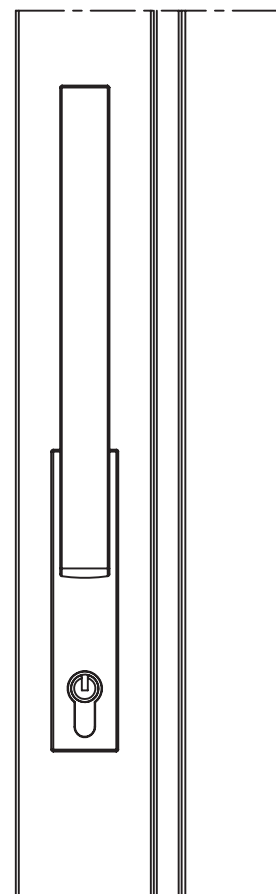
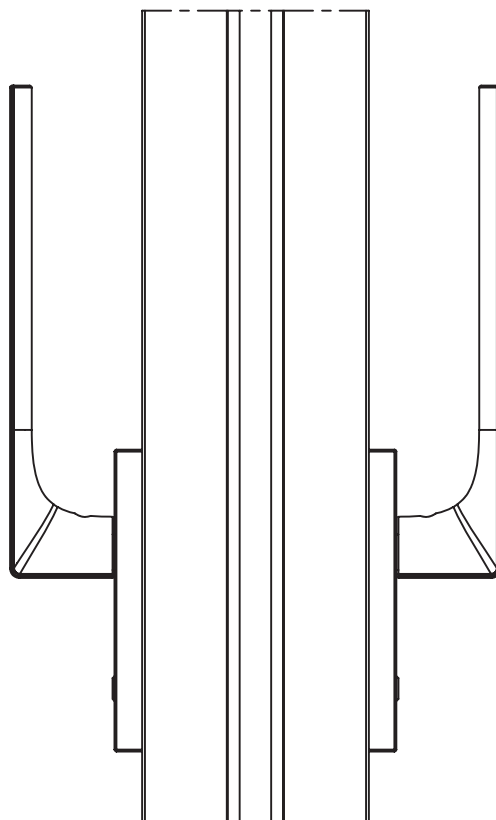
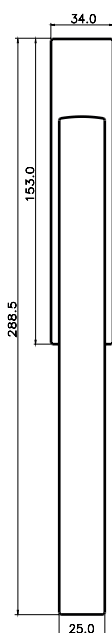
The double large handle for the "Colombo Design" lift-and-slide window with pass-through cylinder lock included was selected for the magis40 by uni_one technology programme. It perfectly adapts to the reduced thickness of the window frame profile. The double large handle for the lift-and-slide window is provided in combination with the magis40 DK Zero window handle.



KEYS AND
CYLINDER
INCLUDED




ISEO cod art.
82F6950809



Handle finishes

The handles for magis40 DK Zero side-opening and lift-and-slide models are available in the following finishes:

	<p>FS40-CM DK HANDLE FOR HINGED WINDOW</p> <p>FS41-CM IN+OUT PASS-THROUGH HANDLE</p> <p>FS42-CM HS HANDLE + SHELL HANDLE</p> <p>FS43-CM IN-OUT HS DOUBLE LARGE HANDLE WITH PASS-THROUGH CYLINDER LOCK</p>		<p>FS40-BI DK HANDLE FOR HINGED WINDOW</p> <p>FS41-BI IN+OUT PASS-THROUGH HANDLE</p> <p>FS42-BI HS HANDLE + SHELL HANDLE</p> <p>FS43-BI IN-OUT HS DOUBLE LARGE HANDLE WITH PASS-THROUGH CYLINDER LOCK</p>
	<p>FS40-OL DK HANDLE FOR HINGED WINDOW</p> <p>FS42-OL HS HANDLE + SHELL HANDLE</p>		<p>FS40-CR DK HANDLE FOR HINGED WINDOW</p> <p>FS41-CR IN+OUT PASS-THROUGH HANDLE</p> <p>FS42-CR HS HANDLE + SHELL HANDLE</p>
	<p>FS40-GM DK HANDLE FOR HINGED WINDOW</p> <p>FS41-GM IN+OUT PASS-THROUGH HANDLE</p> <p>FS42-GM HS HANDLE + SHELL HANDLE</p>		<p>FS40-NM DK HANDLE FOR HINGED WINDOW</p> <p>FS41-NM IN+OUT PASS-THROUGH HANDLE</p> <p>FS42-NM HS HANDLE + SHELL HANDLE</p> <p>FS43-NM IN-OUT HS DOUBLE LARGE HANDLE WITH PASS-THROUGH CYLINDER LOCK</p>

magis40

Produced with:
uni_one
TECHNOLOGY

www.uniform.it

uniform
thewindowmotive

via dell'Agricoltura, 36
37046 Minerbe - Verona, Italy
tel +39 0442 669669
uniform@uniform.it
www.uniform.it